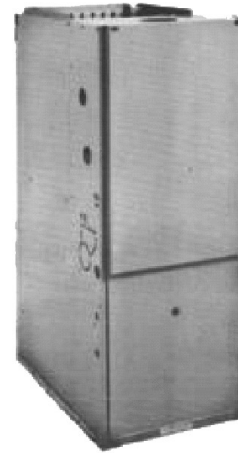


GMP SERIES

50 Hz

Multi-Position, Induced Draft Gas Furnace

Nominal Capacities:
36,000 to 111,000 BTUH
[10.6 to 32.6 kW]



The GMP multi-position induced draft gas furnace unit is completely assembled and factory-tested for heating or combination heating/cooling applications. It may be installed in a utility room, closet, alcove, basement or attic.

Standard Features

- Energy-saving PSC, multi-speed, direct-drive blower motors
- Quiet operating, sound isolated blower assembly
- 40va transformer for heating and air conditioning control service
- Combination redundant gas valve and regulator
- Solid-state blower control
- Blower door safety switch
- Energy-saving electronic ignition system
- Alternate bottom, left or right side return air connection provision
- Quiet operating vent motor
- Easily removable base plate
- Multiple flame roll-out switches
- Outlet air limit switch
- Pressure switch for proof of air
- All models can be vertically vented with a water heater using a B-1 vent
- Capable of multiple position installation upflow, downflow or horizontal (left side and right side application)
- Not for sidewall (horizontal) venting

Cabinet Construction

- Heavy-gauge, reinforced, wrap-around insulated, steel cabinet with durable baked-enamel finish
- Aluminized steel heat exchanger cells, featuring our “weld-free” manufacturing process
- Aluminized steel in-shot burners
- Right-hand or left-hand connection for gas and electric service

Accessories

- L.P. Conversion Kit (LPM-01)
- Special base for downflow configuration (combustible materials)
- Sidewall venting (SVB-80-5)

PRODUCT SPECIFICATIONS

Specifications

Electrical characteristics 220/1/50; gas service connection ½" FPT

Model	Blower				Vent Diameter (B-1)	Electrical		Filter* PERM/DISP	Approximate Shipping Weight lbz. (kg)
	Motor		Diameter	Width		FLA	Max Fuse		
	HP	Speeds							
GMP050-32	1/4	2	10"	6"	4"	1.40	15	188 in ² /+375 in ²	112(50.8)
GMP075-32	1/4	2	10"	6"	4"	1.40	15	188 in ² /+375 in ²	124(56.3)
GMP100-42	1/2	3	10"	8"	4"	2.25	15	278 in ² /+555 in ²	143(64.9)
GMP125-52	3/4	3	11"	10"	4"	4.10	15	303 in ² /+606 in ²	169(72.7)
GMP150-52	3/4	3	10"	6" (2)	4" **	4.10	15	347 in ² /+649 in ²	190(86.3)

* Both side returns are required for 1,800 CFM or greater.

** GMP150-52 requires 5" diameter vent in downflow configuration. Line contact installation permissible.

Performance Ratings

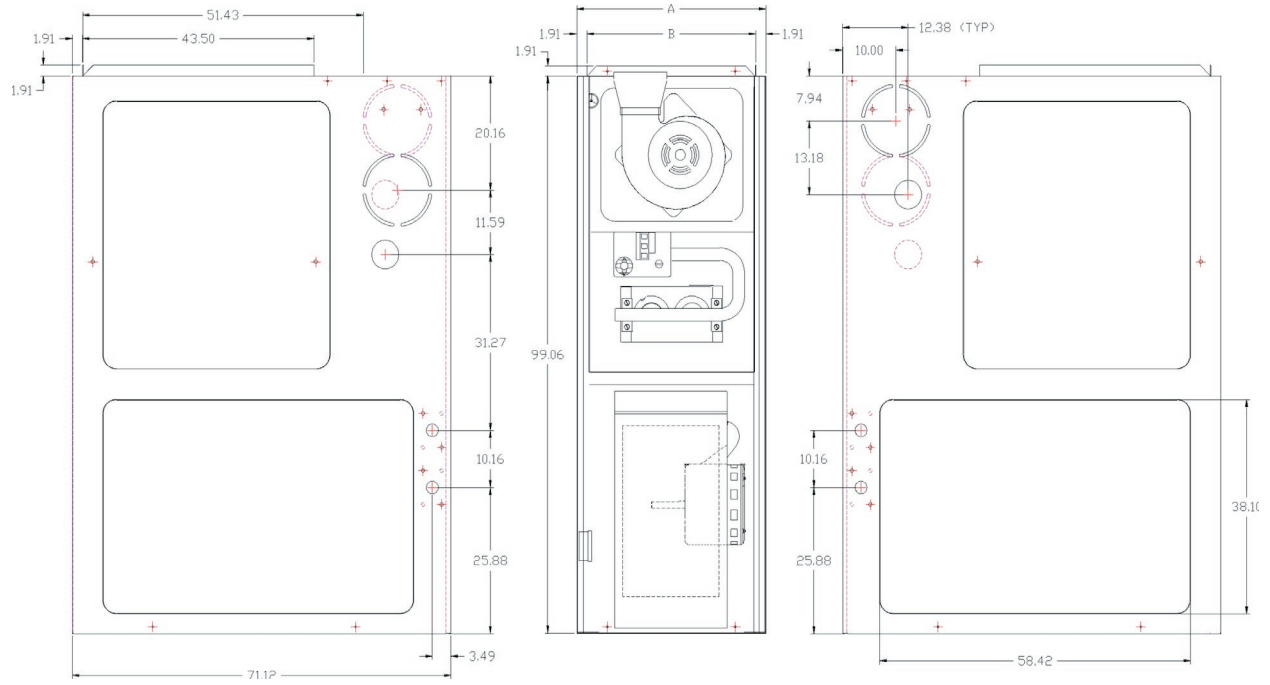
Model	Input* BTUH	Heating Capacity BTUH	Steady State Efficiency	Cooling SCFM @ .5" ESP	Heating SCFM @ .2" ESP	Temperature Rise Range
GMP050-32	45,000	36,000	80.0	1180	900	20-50
GMP075-32	69,000	55,200	80.0	1180	900	35-65
GMP100-42	92,000	73,600	80.0	1700	1390	35-65
GMP125-52	115,000	92,000	80.0	2050	1550	45-75
GMP150-52	138,000	110,400	80.0	2050	1550	35-65

*For altitude above 2,000', reduce rating 4% for each 1,000' above sea level.

+L.P. normal input 20m per section

PRODUCT SPECIFICATIONS

Dimensions



Model	A	B	C	Downflow Subbase Kit
GMP050-32	14.0	12.5	12.5	SBM14
GMP075-32	14.0	12.5	12.5	SBM14
GMP100-42	17.5	16.0	16.0	SBM17
GMP125-52	21.0	19.5	19.5	SBM21
GMP150-52	24.5	23.0	23.0	SBM24

Clearances for Combustible Material

Sides	Rear	Top		Front*	Vent	
		Horizontal	Upflow		Single+	B-1
1"	0"	8"	1"	3"	6"	1"

+ Vent connector only

*Accessibility clearance shall take precedence where greater

Quality Makes the Difference!

All of our systems are designed and manufactured with the same high-quality standards, regardless of size or efficiency. We have designed these units to significantly reduce the most frequent causes of product failure. They are simple to service and forgiving to operate. We use quality materials and components. Finally, every unit is run-tested before it leaves the factory. That's why we know...there's no better quality.

Visit our web site at
www.goodmanmfg.com for information on:
Goodman Products • Customer Services • Parts

Goodman Manufacturing Company, L.P.
2550 North Loop West, Suite 400
Houston, Texas 77092 USA

Goodman Manufacturing Company, L.P., reserves the right to discontinue, or change at any time, specifications or designs without notice or without incurring obligations.
Copyright © 2003 Goodman Manufacturing Company, L.P. • Houston, Texas • Printed in the USA. • Goodman products are made proudly in the USA.
